

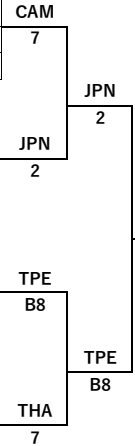
ASIAN JUNIORS Men 12-U Singles

1				1	2	3	4	W	L
1	IND	5	Yuvrajreddy Moola	/	0	0	1		III
2	CAM	7	Sothun Soy	1	/	3	3	II	I
3	TPE	A8	You Syuan Li	3	0	/	3	I	I
4	KOR	1	Jaejin Park	3	2	0	/	I	II

2				1	2	3	W	L
5	TPE	B9	Wei Nan Chen	/	1	3	I	I
6	JPN	2	Tomoki Fuji	3	/	2	I	I
7	IND	4	Sanidhya Dhar Dwivedi	2	3	/	I	I

3				1	2	3	W	L
8	PHI	2	Draven Zachary Flores	/	1	2		II
9	TPE	B8	Bo Yan Chen	3	/	3	II	
10	IND	1	Jainin Hasmukhbhai Vegda	3	1	/	I	I

4				1	2	3	W	L
11	CHN	1	Zhijie Yan	/	0	0		II
12	THA	7	Rowee Dumlee	3	/	3	II	
13	MGL	8	Ulsbold Enkhbayar	3	1	/	I	I



JPN (2)
4-2

5				1	2	3	W	L
14	MGL	7	Bayantur Sundui	/	0	0		II
15	TPE	A9	Ming Fang Wang	3	/	3	II	
16	THA	8	Thatchangpong Saat	3	1	/	I	I

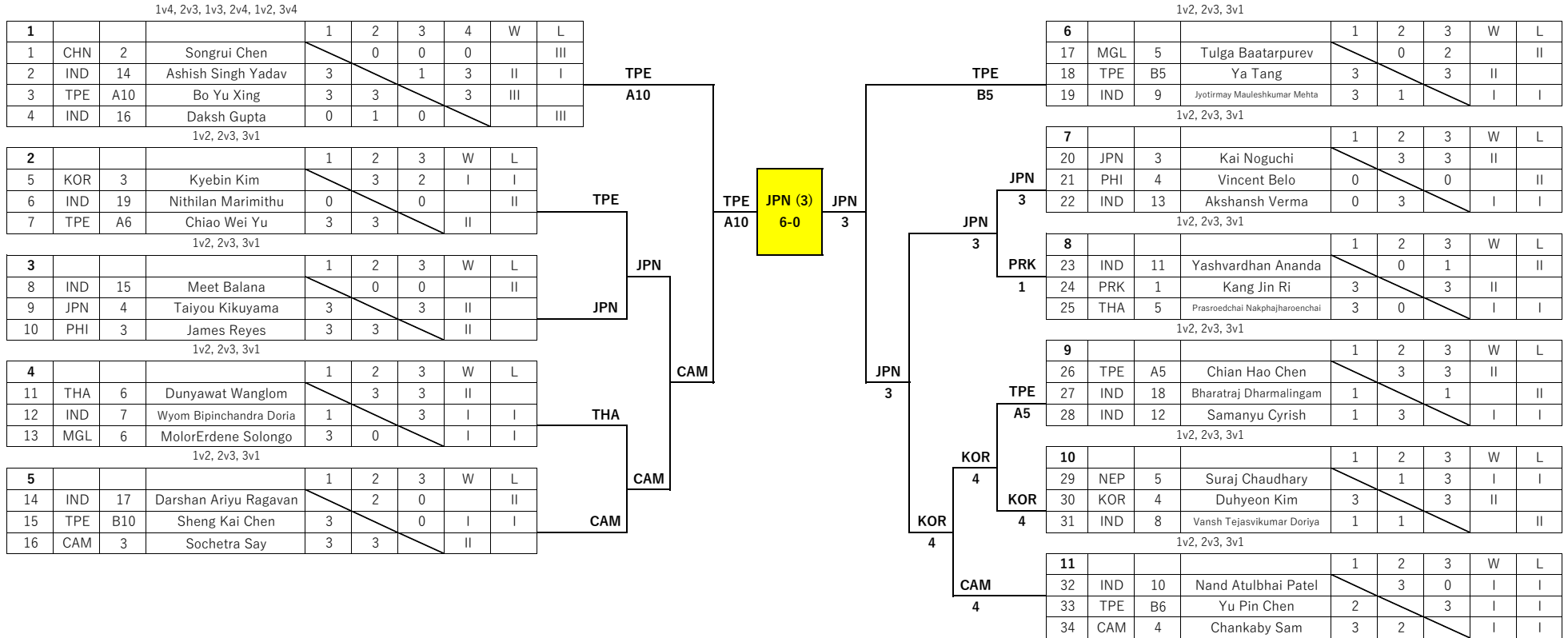
6				1	2	3	W	L
17	IND	6	Utsavpriya Prashanth Kumar	/	1	0		II
18	IND	2	Jishnu Kumar	3	/	0	I	I
19	KOR	2	Sarang Yun	3	3	/	II	

7				1	2	3	W	L
20	NEP	6	Nischal Kayastha	/	2	0		II
21	PHI	1	Prince Dan Alano	3	/	0	I	I
22	TPE	B7	Shang En Chiang	3	3	/	II	

8				1	2	3	W	L
23	TPE	A7	Chia Ho Hsiao	/	1	3	I	I
24	JPN	1	Takumi Kunimatsu	3	/	3	II	
25	IND	3	Yashwant Yadav	0	0	/		II

GOLD	JAPAN	TOMOKI FUJI (2)
SILVER	CHINESE TAIPEI	MING FANG WANG (A9)
BRONZE	JAPAN	TAKUMI KUNIMATSU (1)
BRONZE	CHINESE TAIPEI	BO YAN CHEN (B8)

ASIAN JUNIORS Men 15-U Singles



GOLD	JAPAN	KAI NOGOCHI (3)
SILVER	CHINESE TAIPEI	BO YU XING (A10)
BRONZE	CAMBODIA	SOCHETRA SAY (3)
BRONZE	KOREA	DUHYEON KIM (4)

ASIAN JUNIORS Men 18-U Singles

1v4, 2v3, 1v3, 2v4, 1v2, 3v4				1	2	3	4	W	L
1	MGL	3	Munkhtulga Bataa	/	3	1	0	I	II
2	NEP	4	Aashish Bohara	2	/	1	0		III
3	KOR	5	Jeongil Jeong	3	3	/	0	II	I
4	TPE	B4	Tzu Hung Ou	3	3	3	/	III	

1v2, 2v3, 3v1				1	2	3	W	L	
5	IND	23	Abhimanyu Khokhar	/	3	0	I	I	
6	CHN	5	Xingchi Chen	1	/	0		II	
7	JPN	6	Shun Araki	3	3	/	II		

1v2, 2v3, 3v1				1	2	3	W	L	
8	INA	2	Muhammad Reza Falevi	/	3	1	I	I	
9	IND	26	Karnan Rathinasamy	0	/	0		II	
10	TPE	A3	Yu Hsun Chen	3	3	/	II		

1v2, 2v3, 3v1				1	2	3	W	L	
11	CAM	5	Sokroth Bo	/	2	2		II	
12	IND	20	Aniket Chirag Patel	3	/	3	II		
13	THA	3	Sippakorn Thong-ngiu	3	2	/	I	I	

1v2, 2v3, 3v1				1	2	3	W	L	
11	PHI	B6	Philippe Coteron	/	1	3	I	I	
12	IND	27	Dev Maheshkumar Vania	3	/	3	II		
13	CHN	3	Haixiang Zhao	1	0	/		II	

1v2, 2v3, 3v1				1	2	3	W	L	
6	MGL	4	Temuulen Ganbaatar	/	3	0	I	I	
14	CAM	6	Panha Ek	0	/	1		II	
15	IND	25	Vivekanand Kamalassivi Chandramohan	3	3	/	II		

1v2, 2v3, 3v1				1	2	3	W	L	
7	IND	22	Vivant Gupta	/	1	0		II	
17	TPE	B3	Shao En Huang	3	/	1	I	I	
18	JPN	5	Ryou Nakabeppu	3	3	/	II		

1v2, 2v3, 3v1				1	2	3	W	L	
8	CHN	4	Shaonian Li	/	1	0		II	
20	KOR	6	Woonki Jeong	3	/	3	II		
21	IND	2	Mahendrasingh Amalaiyar	3	2	/	I	I	

1v4, 2v3, 1v3, 2v4, 1v2, 3v4				1	2	3	4	W	L
9	TPE	A4	Po Yi Chen	/	3	3	3	III	
23	THA	4	Phakkapon Thienchaipong	0	/	3	3	II	I
24	IND	24	Simranjeet Singh	0	0	/	3	I	II
25	IND	28	Ajit Sabar	0	0	0	/		III

TPE (A3)
4-3

GOLD	CHINESE TAIPEI	YU HSUN CHEN (A3)
SILVER	CHINESE TAIPEI	PO YI CHEN (A4)
BRONZE	CHINESE TAIPEI	TZU HUNG OU (B4)
BRONZE	INDIA	ANIKET CHIRAG PATEL (20)

ASIAN JUNIORS Men 21-U Singles

1v4, 2v3, 1v3, 2v4, 1v2, 3v4									
1				1	2	3	4	W	L
1	JPN	7	Shunsuke Ueoka	/	3	3	3	III	
2	PHI	B3	Glen Tacorda	0	/	1	0		III
3	NEP	3	Brijesh Pandy	1	3	/	3	I	I
4	IND	32	Harshit Grover	0	3	1	/	I	I
1v2, 2v3, 3v1									
2				1	2	3	W	L	
5	CHN	6	Jungang Chen	/	2	0		II	
6	MGL	2	Telmenbayar Erdenbayar	3	/	0	I	I	
7	KOR	8	Boeun Hwang	3	3	/	II		
1v2, 2v3, 3v1									
3				1	2	3	W	L	
8	TPE	A2	Yu Sung Chang	/	3	3	II		
9	THA	2	Thanakorn Yodpetch	0	/	1		II	
10	INA	1	Mario Harley Alibasa	1	3	/	I	I	
1v2, 2v3, 3v1									
4				1	2	3	W	L	
11	PHI	A1	Latrell Javier	/	2	3	I	I	
12	IND	31	Navneet Singh Chahal	3	/	3	II		
13	CHN	7	Shibu Munai	1	0	/		II	
1v4, 2v3, 1v3, 2v4, 1v2, 3v4									
5				1	2	3	4	W	L
14	CAM	2	Mada John	/	0	3	3	II	I
15	TPE	B2	Yu Chun Lai	3	/	3	3	III	
16	NEP	1	Yukesh Yonjan	0	1	/	3	I	II
17	PHI	A2	Eldyzar Alvarico	0	0	1	/		III

1v4, 2v3, 1v3, 2v4, 1v2, 3v4									
6				1	2	3	4	W	L
18	THA	1	Warakorn Khongraksa	/	3	2	1	I	II
19	CHN	9	Feng Zheng	0	/	1	1		III
20	TPE	A1	Yu Hsuan Chang	3	3	/	3	III	
21	PHI	B5	Mark Joseph Luna	3	3	0	/	II	I
1v2, 2v3, 3v1									
7				1	2	3	W	L	
22	PHI	B2	Joshua Lagumbay	/	0	0		II	
23	KOR	7	Gyeongho Gwon	3	/	1	I	I	
24	IND	29	Kunal Goyal	3	3	/	II		
1v2, 2v3, 3v1									
8				1	2	3	W	L	
25	MGL	1	Bilguun Bayarmaa	/	3	1	I	I	
26	PHI	B1	Jahn Narvie Luz	0	/	0		II	
27	JPN	8	Sora Hirooka	3	3	/	II		
1v2, 2v3, 3v1									
9				1	2	3	W	L	
28	IND	30	Gnanaprabhu Rajendran	/	1	3	I	I	
29	TPE	B1	Chung Min Chien	3	/	3	II		
30	CHN	8	Qixun Dan	0	0	/		II	
1v4, 2v3, 1v3, 2v4, 1v2, 3v4									
10				1	2	3	4	W	L
31	CAM	1	Sarsarith Yi	/	3	3	2	II	I
32	NEP	2	Ranish Tamang	0	/	3	0	I	II
33	PHI	A3	Lester Deocampo	1	2	/	1		III
34	PRK	2	Jang Ung Kim	3	3	3	/	III	

GOLD	CHINESE TAIPEI	YU SUNG CHANG (A2)
SILVER	JAPAN	SORA HIROOKA (8)
BRONZE	CHINESE TAIPEI	YU CHUN LAI (B2)
BRONZE	CHINESE TAIPEI	YU HSUAN CHANG (A1)

ASIAN JUNIORS Women 12-U Singles

1v2, 2v3, 3v1					1v2, 2v3, 3v1				
1				1	2	3	W	L	JPN 2
1	TPE	A7	Hsin Ying Lin	/	3	2	I	II	
2	NEP	2	Sunira Thapa	0	/	0		II	
3	JPN	2	Meika Hamaguchi	3	3	/	II		
1v2, 2v3, 3v1									
2				1	2	3	W	L	KOR 2
4	THA	8	Wachiraya Termaratchatapongsa	/	3	1	I	I	
5	IND	4	Arya Parashar	0	/	0		II	
6	KOR	2	Nahyein Kim	3	3	/	II		
1v2, 2v3, 3v1									
3				1	2	3	W	L	IND 1
7	IND	1	Antekshika	/	3	3	II		
8	PHI	1	Jada Revoltar	0	/	0		II	
9	CAM	7	Chheavhout Chhan	0	3	/	I	I	

1v2, 2v3, 3v1					1v2, 2v3, 3v1				
4				1	2	3	W	L	KOR 1
10	PHI	2	Vanessa Padilla	/	0	0		II	
11	KOR	1	Suyeon Im	3	/	3	II		
12	TPE	B8	Shu Chi Chu	3	0	/	I	I	
1v2, 2v3, 3v1									
5				1	2	3	W	L	KOR 1
13	TPE	A8	Yun Hsin Chung	/	0	1		II	
14	IND	2	Varshini Sathisha Gowda	3	/	0	I	I	
15	THA	7	Kamonwan Yodpetch	3	3	/	II		
1v2, 2v3, 3v1									
6				1	2	3	W	L	JPN 1
16	IND	3	Dhrishika Arjun	/	0	0		II	
17	JPN	1	Yui Kissaka	3	/	3	II		
18	TPE	B7	Wei Hsu	3	2	/	I	I	

JPN (1)
4-2

GOLD	JAPAN	YUI KISSAKA (1)
SILVER	JAPAN	MEIKA HAMAGUCHI (2)
BRONZE	KOREA	NAHYEIN KIM (2)
BRONZE	KOREA	SUYEON IM (1)

ASIAN JUNIORS Women 15-U Singles

1v4, 2v3, 1v3, 2v4, 1v2, 3v4				1	2	3	4	W	L
1	TPE	A5	Kuan Yu Huang	/	3	3	2	II	I
2	CAM	6	Pheak Paot	0	/	0	0		II
3	IND	7	Linda Laishram	2	3	/	0	I	II
4	KOR	4	Yesol Kim	3	3	3	/	III	

1v2, 2v3, 3v1				1	2	3	W	L
5	MAS	2	Lavander Chong	/	2	0		II
6	IND	13	Karthikayani Venkatesh	3	/	2	I	I
7	MGL	3	Chinmurun Bataa	3	3	/	II	

1v2, 2v3, 3v1				1	2	3	W	L
8	TPE	B6	Yi Ching Lo	/	2	3	I	I
9	JPN	4	Nozomi Sugimoto	3	/	3	II	
10	IND	12	Jane Princess Sundar	0	0	/		II

1v2, 2v3, 3v1				1	2	3	W	L
11	PHI	3	Jhavin Gilbuena	/	0	1		II
12	THA	5	Nannapas Lamthanhong	3	/	0	I	I
13	TPE	B9	Jui Ting Chen	3	3	/	II	

1v2, 2v3, 3v1				1	2	3	W	L
11	IND	10	Raga Sri Kulandaivelu Manogarababu	/	3	3	II	
12	CHN	2	Yangguo Yan	0	/	0		II
13	CAM	2	Mariyan Meth	0	3	/	I	I

1v4, 2v3, 1v3, 2v4, 1v2, 3v4				1	2	3	4	W	L
6	JPN	3	Miku Ishiyama	/	3	3	3	III	
14	JPN	3	Miku Ishiyama	0	/	3	3	II	I
15	CAM	4	Chanroseka Khun	0	0	/	3	I	II
16	IND	5	Akriti Singh	0	0	1	/		III
17	PHI	5	Rebecca Padilla	0	0	1	/		III

1v2, 2v3, 3v1				1	2	3	W	L
7				/	0	0		II
18	IND	8	Saisha Arora	3	/	0	I	I
19	THA	6	Thanpitcha Somsarit	3	3	/	II	
20	TPE	A6	Pin Wen Yeh	3	3	/	II	

1v2, 2v3, 3v1				1	2	3	W	L
21	CHN	1	Jiani Wei	/	0	0		II
22	PHI	4	Angela Valdez	3	/	3	II	
23	IND	9	Mamathishiya Kalaiyarasan	3	0	/	I	I

1v2, 2v3, 3v1				1	2	3	W	L
9				/	3	0	I	I
24	CAM	5	Tinghuy Bo	2	/	1		II
25	IND	11	Swetha Kumar	3	3	/	II	
26	TPE	A9	Jia Ying Wu	3	3	/	II	

1v4, 2v3, 1v3, 2v4, 1v2, 3v4				1	2	3	4	W	L
10				/	3	2	3	II	I
27	KOR	3	Goeun Kim	0	/	1	2		III
28	IND	6	Anshika Kanojia	3	3	/	3	III	
29	TPE	B5	Shu Ping Lin	0	3	1	/	I	II
30	MGL	4	Iveel Turbat	0	3	1	/	I	II

JPN (3)	4-3
----------------	------------

GOLD	JAPAN	MIKU ISHIYAMA (3)
SILVER	JAPAN	NOZOMI SUGIMOTO (4)
BRONZE	INDIA	RAGA SRI KULANDAIVELU MAN
BRONZE	CHINESE TAIPEI	JIA YING WU (A9)

ASIAN JUNIORS Women 18-U Singles

1v4, 2v3, 1v3, 2v4, 1v2, 3v4				1	2	3	4	W	L
1	JPN	5	Nanami Namioka	/	3	3	3	III	
2	IND	23	Rima Ray	0	/	1	0		III
3	PHI	B11	Nadine Tiburcio	0	3	/	0	I	II
4	TPE	B3	Tz Han Weng	0	3	3	/	I	I

1v2, 2v3, 3v1				1	2	3	W	L	
5	INA	2	Salsabila Azzawah	/	2	1		II	
6	KOR	6	Jeongun Lee	3	/	3	II		
7	IND	16	Kalyanie Singh	3	1	/	I	I	

1v2, 2v3, 3v1				1	2	3	W	L	
8	TPE	B10	Ying Yi Chen	/	0	0		II	
9	THA	4	Bunita Phoungprapa	3	/	3	II		
10	IND	21	Pavithra Sriram	3	0	/	I	I	

1v4, 2v3, 1v3, 2v4, 1v2, 3v4				1	2	3	4	W	L
11	IND	14	Aadhya Tiwari	/	3	3	3	III	
12	INA	6	Safa Dheani	2	/	1	3	I	II
13	TPE	A4	Hsiang Lin Lin	1	3	/	3	II	I
14	PHI	B7	Cindy Nuguit	0	0	0	/		III

1v4, 2v3, 1v3, 2v4, 1v2, 3v4				1	2	3	4	W	L
15	PHI	A6	Virvienica Bejosano	/	3	1	3	II	I
16	IND	17	Khushi Sachdeva	0	/	1	3	I	II
17	INA	5	Fatima Andwidatu Wardoyo	3	3	/	3	III	
18	MGL	1	Enkhzul Batsaikhan	0	0	0	/		III

1v4, 2v3, 1v3, 2v4, 1v2, 3v4				1	2	3	4	W	L
19	JPN	6	Rena Yoshida	/	3	3	3	III	
20	MGL	2	Sevjidmaa Boldbaatar	0	/	0	0		III
21	IND	19	Yesha Nayan Umraliya	0	3	/	1	I	II
22	INA	3	Happines Beauty Heart	2	3	3	/	II	I

1v4, 2v3, 1v3, 2v4, 1v2, 3v4				1	2	3	4	W	L
23	TPE	A3	Yu Xin Wu	/	3	2	3	II	I
24	NEP	1	Bharati Joshi	0	/	0	0		III
25	IND	15	Tushuta Singh	3	3	/	3	III	
26	PHI	A5	Nia Pornobi	0	3	0	/	I	II

1v2, 2v3, 3v1				1	2	3	W	L	
27	IND	22	Anusha Nelakuditi	/	0	3	I	I	
28	TPE	B4	Chih Yen Tai	3	/	3	II		
29	MAS	1	Deborah Hung Jing Lai	0	0	/		II	

1v2, 2v3, 3v1				1	2	3	W	L	
30	KOR	5	Eunhee Gwon	/	3	1	I	I	
31	IND	20	Thirumangai Murugavel	1	/	0		II	
32	TPE	A10	Min Yu Chiang	3	3	/	II		

1v4, 2v3, 1v3, 2v4, 1v2, 3v4				1	2	3	4	W	L
33	THA	3	Phraephoi Mahanil	/	3	3	3	III	
34	INA	4	Aulia Risma Widyaningsih	0	/	3	0	I	II
35	IND	18	Devanshi Hareishbhai Patel	0	1	/	3	I	II
36	PHI	B8	Ezrijoy Oligo	1	3	2	/	I	II

JPN (5)
4-2

GOLD	JAPAN	NANAMI NAMIOKA (5)
SILVER	THAILAND	PHRAEPHOI MAHANIL (3)
BRONZE	INDONESIA	FATIMA ANDWIDATU WARDOYO (5)
BRONZE	THAILAND	RENA YOSHIDA (6)

ASIAN JUNIORS Women 21-U Singles

1v4, 2v3, 1v3, 2v4, 1v2, 3v4				1	2	3	4	W	L
1	TPE	A1	Shu Ting Lo	/	3	3	3	III	
2	PHI	B5	Roni Ortaliz	0	/	0	1		III
3	KOR	8	Hyorin Lee	0	3	/	3	II	I
4	IND	24	Amita Sri	0	3	2	/	I	II
1v2, 2v3, 3v1									
5	CHN	5	Xuemei Zhang	/	0	0			II
6	JPN	7	Hinata Hayakawa	3	/	3	II		
7	PHI	B8	Criselda Arboleda	3	0	/	I	I	
1v4, 2v3, 1v3, 2v4, 1v2, 3v4				1	2	3	4	W	L
8	IND	26	Asees Kaur Chahal	/	0	3	0	I	II
9	PHI	A1	Princess Catindig	3	/	3	3	III	
10	CAM	1	Sotheary Rin	0	0	/	0		III
11	INA	1	Anadeleyda Kawengian	3	2	3	/	II	I
1v4, 2v3, 1v3, 2v4, 1v2, 3v4				1	2	3	4	W	L
12	CHN	3	Yulu Zhang	/	0	1	3	I	II
13	TPE	B2	Chung Ting Wu	3	/	1	3	II	I
14	THA	1	Paweesuda Pungpeng	3	3	/	3	III	
15	IND	25	Apurva Chauhan	0	2	0	/		III

TPE

A1

JPN

JPN

7

JPN

JPN (7)
6-1

JPN

7

PHI

A1

PHI

A1

THA

1

1v4, 2v3, 1v3, 2v4, 1v2, 3v4

5				1	2	3	4	W	L
16	IND	27	Saayana Sreedetha Prakash	/	3	0	3	II	I
17	CHN	4	Yuqi Hu	0	/	0	0		III
18	KOR	7	Yejin Eom	3	3	/	3	III	
19	PHI	B3	Christy Sanosa	0	3	0	/	I	II
1v2, 2v3, 3v1				1	2	3	W	L	
20	CAM	3	Sreyloy Chen	/	0	0			II
21	TPE	B1	Pei Yu Chen	3	/	3	II		
22	PHI	B1	Jamaica Daquiao	3	0	/	I	I	
1v2, 2v3, 3v1				1	2	3	W	L	
23	PHI	B4	Marianne Hipolito	/	1	3	I	I	
24	JPN	8	Haruka Kubo	3	/	3	II		
25	IND	28	Gauri Agarwal	1	0	/		II	
1v4, 2v3, 1v3, 2v4, 1v2, 3v4				1	2	3	4	W	L
26	TPE	A2	Yu Hsin Kao	/	3	3	3	III	
27	PHI	B2	Cianna Villaflor	2	/	3	3	II	I
28	CHN	6	Fuyu Li	0	0	/	1		III
29	THA	2	Pramita Chantasamit	0	2	3	/	I	II

KOR

7

KOR

7

TPE

B1

JPN

8

JPN

8

TPE

A2

GOLD	JAPAN	HINATA HAYAKAWA (7)
SILVER	JAPAN	HARUKA KUBO (8)
BRONZE	PHILIPPINES	PRINCESS CATINDIG (A1)
BRONZE	KOREA	YEJIN EOM (7)